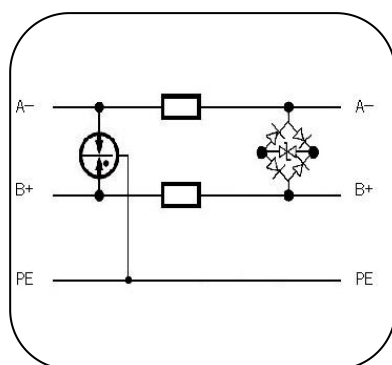
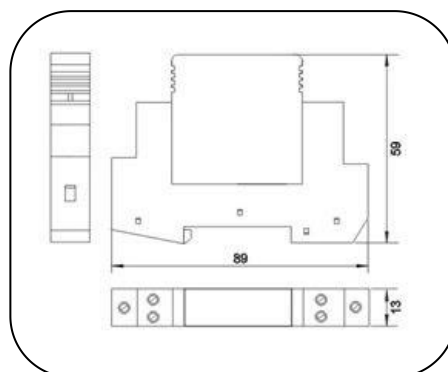


**Terminal Block Modules series-one pair line protection**

**DM-xxx/B0**



Basic circuit diagram



Dimension drawing

Data network surge arrester for double-wire systems/RS485 against surges at the boundaries from lightning protection zone from 0B-2 and higher.

- Data network SPD in according with IEC61643-:21;
- Surge arrester for data and signal protection, can be used for tracker, controller etc. signal and data transmission surge protection
- Pluggable surge protection for DIN mounting;
- Signal transmission is not interrupted when exchanging module, make before break function
- Limit the transients with gas discharge tubes and diodes;
- Two-stage protection circuit.
- Suitable to use for RS232 or RS485 protection

Part No.		DM-24/B0	DM-48/B0
In accordance with		IEC 61643-21:2005	
Nominal voltage (Vdc)	Un	24	48
Max. continuous operating voltage (Vdc/ac)	Uc	28/24	60/48
C2 Nominal discharge current(8/20)	In	5kA	
C2 Total nominal Discharge Current ( 8/20us )		10kA	
Voltage protection level (V)	L-L@C2 (8/20μs)Up	<55	<190
	L-G@C2 (8/20μs)Up	<500	<500
	L-L@C3 (1KV/μs)Up	<48	<145
	L-G@C3 (1KV/μs)Up	<600	<600
Nominal Current (A)	IL	0.5A	
Transmission Speed (bps)		2Mbps	
Insertion loss (dB)		≤0.5	
Series impedance per line (Ohm)		2.2 Ohm	
Protection line		One pair	
Mounting		35mm DIN-rail in accordance with EN 50022/DIN46277-3	
Type of Connection IN/OUT		screw/screw	
Dimensions (mm)		89 X 13 X 59	
Operating temperature range		- 40°C ~ + 80°C	